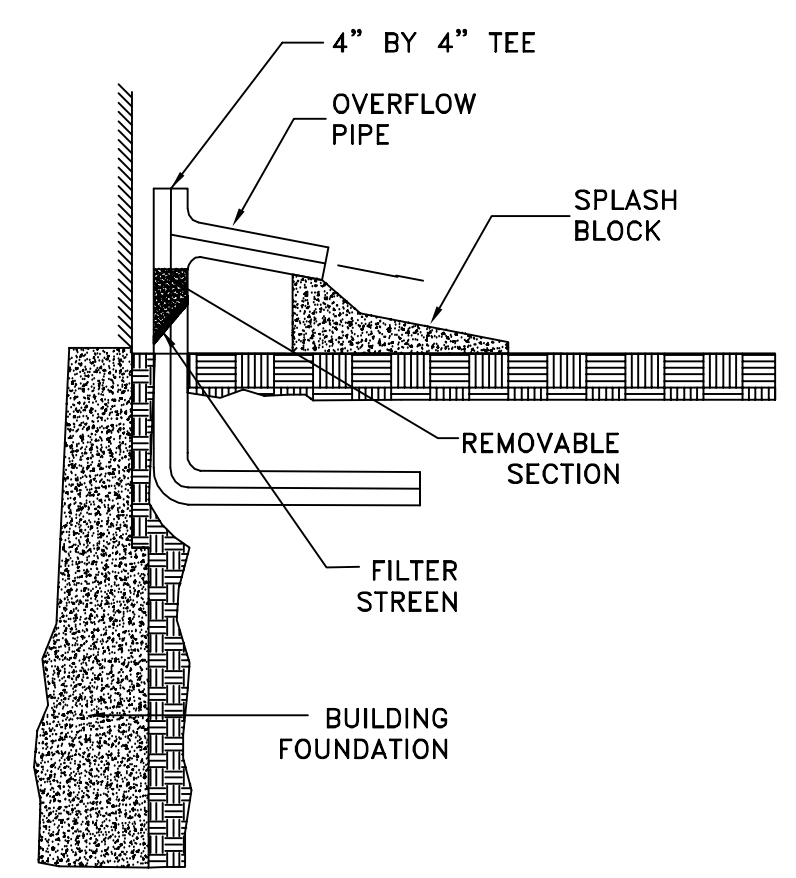


DATE: 7/7/2020
BY: SHAWN P. HARDY, PE
SE-1006

DEPTH	TP# 1	ELEV.
0"		81.0
4"	PAVEMENT	80.66
50"	FILL	76.83
108"	C 2.5% 7/4 FINE SAND	72.0

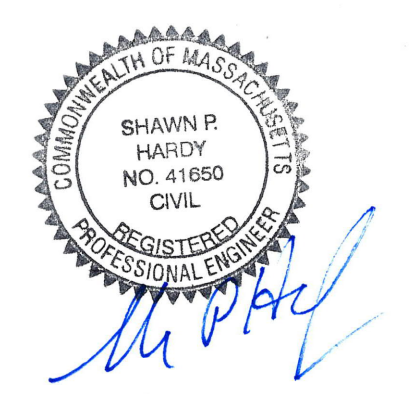
MOTTLES AT 50"



DEEP OBSERVATION HOLE DATA
N.T.S.

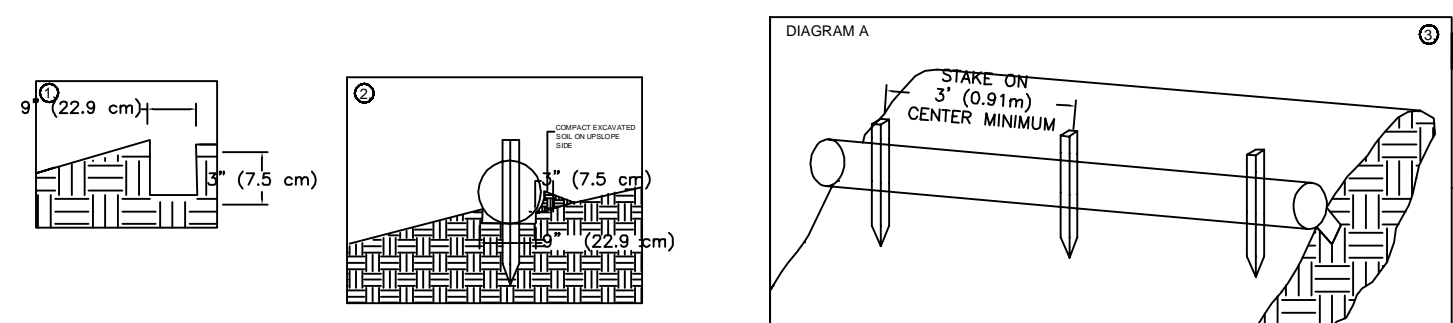
ZONING TABLE

REQUIRED:	EXISTING: (STORAGE CONTAINERS)	PROPOSED:
FRONT SETBACK - 20'	-29' (OVER LOT LINE)	20.5'
SIDE SETBACK - 30'	3' (E) 46' (W)	45.5' (E) 41.4' (W)
REAR SETBACK - 30'	103'	124.5'
MIN. AREA - N/A	38,928.5 S.F.	38,928.5 S.F.
MIN. FRONTAGE - 110'	190.22'	190.22'
MIN. WIDTH - 110'	147'	147'
MAX. HEIGHT - 36' OR 3 STYS.	1 STORY	1 STORY
MAX. BUILDING COVERAGE - 80%	6235 S.F. (STORAGE CONTAINERS)	990 S.F. (CELL TOWER)
	990 S.F. 16.3% (TOTAL)	4608 S.F. 12.7% (TOTAL)



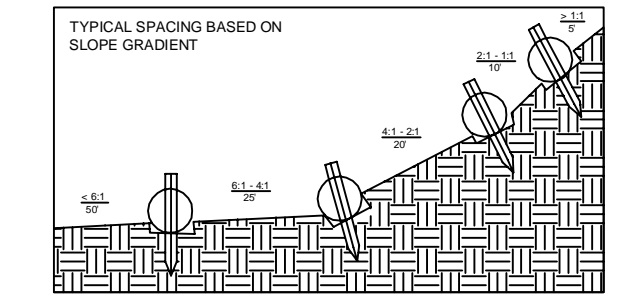
SHAWN P. HARDY, P.E.

10' UTILITY EASEMENT

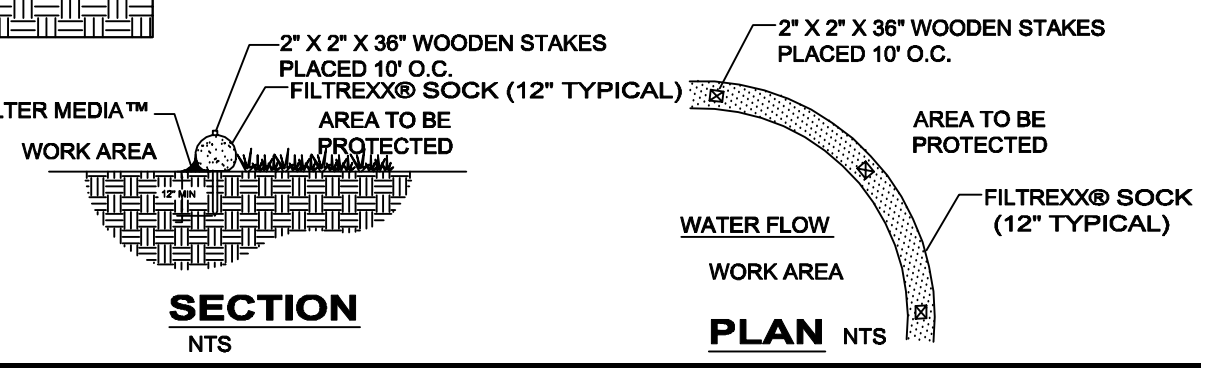


FILTER SOCK INSTALLATION GUIDE

- BEGIN AT THE LOCATION WHERE THE SOCK IS TO BE INSTALLED BY EXCAVATING A 2-3" (5-7.5 CM) DEEP X 9" (22.9 CM) WIDE TRENCH ALONG THE CONTOUR OF THE SLOPE. EXCAVATED SOIL SHOULD BE PLACED UPSLOPE FROM THE ANCHOR TRENCH.
- PLACE THE SOCK IN THE TRENCH SO THAT IT CONTOURS TO THE SOIL SURFACE. COMPACT SOIL FROM THE EXCAVATED TRENCH AGAINST THE SOCK ON THE UPSLOPE SIDE. ADJACENT SOCKS SHOULD TIGHTLY ADJUT.
- SECURE THE SOCK WITH 18-24" (45.7-61 CM) STAKES EVERY 3-4' (0.9-1.2 M) AND WITH A STAKE ON EACH END. STAKES SHOULD BE DRIVEN THROUGH THE MIDDLE OF THE SOCK LEAVING AT LEAST 2-3" (5-7.5 CM) OF STAKE EXTENDING ABOVE THE SOCK. STAKES SHOULD BE DRIVEN PERPENDICULAR TO THE SLOPE FACE.



- NOTES:
- ALL MATERIAL TO MEET FILTERREX® SPECIFICATIONS.
 - FILTER MEDIA™ FILL TO MEET APPLICATION REQUIREMENTS.
 - COMPOST MATERIAL TO BE DISPERSED ON SITE, AS DETERMINED BY ENGINEER.



Filtrex Erosion Control
N.T.S.



REVISIONS:

NO.	COMMENTS:	DATE:
1	REVISED PER CONCOM COMMENTS	12-30-2020
2	REVISED PER STORMWATER PEER REVIEW	1-8-2021
3	ADDED ZONING TABLE	9-9-2021

Proposed Site Plan
28 BISHOP LANE
ROCKLAND, MASSACHUSETTS

DRAWN BY: JABI
DESIGNED BY: SPH
CHECKED BY: CYM

DATE: 2-14-2020
LATEST REVISION
DATE: 9-9-2021

HARDY + MAN DESIGN GROUP, PC
CIVIL ENGINEERING & LAND DEVELOPMENT CONSULTING

1285 WASHINGTON STREET
WEYMOUTH, MA
(781) 335-1464

PREPARED FOR:
PERMITTING

SHEET
C-2